

PS-3700A Series Windows® 2000 Multi-Language Preinstalled Hard Disk Unit Installation Guide

The PS-3700A Series Windows® 2000 Multi-Language Preinstalled Hard Disk Unit includes an HDD drive with Microsoft corporation's preinstalled Windows® 2000 operating system, as well as other driver and utility software. These items are used when operating Pro-face's Compact Panel Computer PS-3700A Series unit, hereafter referred to collectively as the "PS-A".

Corresponding models: PS-3700A Series units

The following trade names are registered trademarks of the following companies.

Pro-face® : Digital Electronics Corporation (in Japan and other countries)

Windows® 2000 : Microsoft® Corporation

Symantec Ghost™ : Symantec Corporation

IMPORTANT - Read Prior to Opening and Operating

This HDD unit contains a preinstalled version of Windows® 2000 Professional. Be sure to read and agree to all conditions stated herein prior to using this product. If you do not agree to all the conditions stated in this agreement, please return the entire product.

COA Data

** This Installation Guide is an important part of this product. Be sure to keep it in an easy-to-find location.*

Microsoft® Corporation Windows® 2000

User Licence Agreement

- You have acquired a device ("DEVICE") that includes software licensed by Digital Electronics Corporation from Microsoft Licensing Inc. or its affiliates ("MS"). Those installed software products of MS origin, as well as associated media, printed materials, and "online" or electronic documentation ("SOFTWARE") are protected by international intellectual property laws and treaties. The SOFTWARE is licensed, not sold. All rights reserved.
- **IF YOU DO NOT AGREE TO THIS END USER LICENSE AGREEMENT ("EULA"), DO NOT USE THE DEVICE OR COPY THE SOFTWARE. INSTEAD, PROMPTLY CONTACT Digital Electronics Corporation FOR INSTRUCTIONS ON RETURN OF THE UNUSED DEVICE(S) FOR A REFUND. ANY USE OF THE SOFTWARE, INCLUDING BUT NOT LIMITED TO USE ON THE DEVICE, WILL CONSTITUTE YOUR AGREEMENT TO THIS EULA (OR RATIFICATION OF ANY PREVIOUS CONSENT).**
- **GRANT OF SOFTWARE LICENSE.** This EULA grants you the following license:
 - You may use the SOFTWARE only on the DEVICE.
 - NOT FAULT TOLERANT. THE SOFTWARE IS NOT FAULT TOLERANT. Digital Electronics Corporation HAS INDEPENDENTLY DETERMINED HOW TO USE THE SOFTWARE IN THE DEVICE, AND MS HAS RELIED UPON Digital Electronics Corporation TO CONDUCT SUFFICIENT TESTING TO DETERMINE THAT THE SOFTWARE IS SUITABLE FOR SUCH USE.
 - NO WARRANTIES FOR THE SOFTWARE. THE SOFTWARE is provided "AS IS" and with all faults. THE ENTIRE RISK AS TO SATISFACTORY QUALITY, PERFORMANCE, ACCURACY, AND EFFORT (INCLUDING LACK OF NEGLIGENCE) IS WITH YOU. ALSO, THERE IS NO WARRANTY AGAINST INTERFERENCE WITH YOUR ENJOYMENT OF THE SOFTWARE OR AGAINST INFRINGEMENT. IF YOU HAVE RECEIVED ANY WARRANTIES REGARDING THE DEVICE OR THE SOFTWARE, THOSE WARRANTIES DO NOT ORIGINATE FROM, AND ARE NOT BINDING ON, MS.
 - Note on Java Support. The SOFTWARE may contain support for programs written in Java. Java technology is not fault tolerant and is not designed, manufactured, or intended for use or resale as online control equipment in hazardous environments requiring fail-safe performance, such as in the operation of nuclear facilities, aircraft navigation or communication systems, air traffic control, direct life support machines, or weapons systems, in which the failure of Java technology could lead directly to death, personal injury, or severe physical or environmental damage. Sun Microsystems, Inc. has contractually obligated MS to make this disclaimer.

- No Liability for Certain Damages. EXCEPT AS PROHIBITED BY LAW, MS SHALL HAVE NO LIABILITY FOR ANY INDIRECT, SPECIAL, CONSEQUENTIAL OR INCIDENTAL DAMAGES ARISING FROM OR IN CONNECTION WITH THE USE OR PERFORMANCE OF THE SOFTWARE. THIS LIMITATION SHALL APPLY EVEN IF ANY REMEDY FAILS OF ITS ESSENTIAL PURPOSE. IN NO EVENT SHALL MS BE LIABLE FOR ANY AMOUNT IN EXCESS OF U.S. TWO HUNDRED FIFTY DOLLARS (U.S.\$250.00).
- Limitations on Reverse Engineering, Decompilation, and Disassembly. You may not reverse engineer, decompile, or disassemble the SOFTWARE, except and only to the extent that such activity is expressly permitted by applicable law notwithstanding this limitation.
- SOFTWARE TRANSFER ALLOWED BUT WITH RESTRICTIONS. You may permanently transfer rights under this EULA only as part of a permanent sale or transfer of the Device, and only if the recipient agrees to this EULA. If the SOFTWARE is an upgrade, any transfer must also include all prior versions of the SOFTWARE.
- EXPORT RESTRICTIONS. You acknowledge that SOFTWARE is of US-origin. You agree to comply with all applicable international and national laws that apply to the SOFTWARE, including the U.S. Export Administration Regulations, as well as end-user, end-use and country destination restrictions issued by U.S. and other governments. For additional information on exporting the SOFTWARE, see <http://www.microsoft.com/exporting/>.
- LIMITATION ON SOFTWARE PROGRAMS USED ON THE DEVICE. The combination of software programs you use on the DEVICE shall address not more than two (2) general office automation or consumer computing functions. Such functions include, but are not limited to: e-mail, word processing, spreadsheets, database, network browsing, scheduling, and personal finance.
- Storage/Network Use. The SOFTWARE may not be installed, accessed, displayed, run, shared, or used concurrently on or from different computers, including a workstation, terminal, or other digital electronic device ("Computing System"). Notwithstanding the foregoing and except as otherwise provided below, any number of Computing Systems may access or otherwise utilize the file and print services and Internet information services of the SOFTWARE, if included.

You may use the SOFTWARE on a single DEVICE as interactive workstation software, but not as server software. However, you may permit a maximum of ten (10) Computing Systems to connect to the DEVICE to access and use services of the SOFTWARE, such as file and print services and Internet information services. The ten-connection maximum includes any indirect connections made through other software or hardware which pools or aggregates connections.

DMC Corporation Mouse Emulation Software (TSC-1310D/DD) Software License Agreement

Before unsealing and using this product, please read the following license agreement carefully: This license agreement regarding the following software product (hereinafter called “product”) is concluded between you the individual or entity licensing the product (hereinafter called (“licensee”) and DMC Co., Ltd. (hereinafter called “DMC”). With unsealing, installing, copying or using the product, the licensee is regarded to agree this contract and the contract is in force. Please confirm and understand this agreement fully in advance. If you do not agree this contract, do not unseal, install, copy or use the software product at all. In such a case, please return the product at an unused state to the place you the licensee purchased it. Your payment will be returned to the licensee.

1. Copyright

The copyright of the software product belongs to Touch-Base, Ltd.

2. License

For the programs included in this product and the documents related to it, DMC grants untransferable nonexclusive license to licensee, which permits use of the product under the following conditions:

- (1)When a licensee does not purchase the license which permits the licensee to use a licensed product and its copy(s) and/or the license which permits use of the product on multiple computers, the licensee is granted the right to use the product on a single computer.
- (2)The licensee can create one copy of the product for archival purposes. For the other purposes, copying the whole or part of the product is strictly prohibited whichever medium you use.
- (3)The licensee shall display the copyright notice and other necessary information which is the same as that for the product on every copy of the product.
- (4)The intangible property right of the product and its copy(s) belong to DMC or the DMC supplier.

3. Term of use

This contract shall maintain its validity from conclusion of the contract to the cancellation by DMC or the licensee.

4. Termination of the right of use

- (1)The licensee can at any time terminate the right to use the product by expunging or destroying the product and all the copied contents.
- (2)When a licensee contravenes these license contents, DMC can notify the licensee of termination of the right to use the product. In this case, the licensee shall return the product or all the copied contents to DMC within one month.

5. Limited Warranty

- (1) DMC guarantees that 90 days after the licensee purchased the product, neither material nor manufacturing flaws shall be found at the medium where the product has been recorded or stored. If any errors related to the material or manufacturing is recognized when the product is installed, we shall replace the medium used to install the product on the condition that we are notified of it within the guaranteed period.
- (2) DMC shall grant the right to use the product at a state it has been supplied without explicit or implicit guarantee except for replacement of the medium containing product described in the above clause. Further, we do not guarantee that the product is suitable as useful for the licensee's specific purpose of use and that execution of the product is neither interrupted nor an error is found at its execution.
- (3) The responsibility attributable to DMC based on this agreement is limited to replacement of the medium containing the product, and DMC shall not assume any responsibility for the explicit or implicit guarantee including the other legal warranty against a defect and a liability for reparation given from a third party to the licensee regarding the licensee's profit loss caused by the product, damage arising from a special circumstance and the damage against data or intangible property right.

6. Licensee's obligation

The licensee shall recognize that the product shall possess the confidential information or property information including the intangible property right protected by the Copyright Act and shall not take the following actions:

- (1) Use and copying of the product against the terms of the license and disassembling, reverse engineering, and modifying the product.
- (2) Transfer, leasing and sublicensing of the product to the third party.
- (3) Deletion and/or change of display of the intangible property right including the copyright displayed on the medium containing the product.

7. Restrictions on Export

When the product is subjected to the regulation of the Foreign Exchange and Foreign Trade Control Act and the laws and regulations accompanying it and the Export, the licensee shall observe the corresponding laws and regulations and rules.



<http://www.dmccoltd.com>

Hironokougyoudanchi, Hirono-machi, Futaba-gun, Fukushima
979-0401, Japan

Phone: +81-240-27-4030 Fax: +81-240-27-4025

IN-fINITY soft Keyclick32

Digital Electronics Corporation shall be in no case liable for any loss or damages to you or any third party whatsoever arising from any faulty performance of IN-fINITY soft, nor shall be responsible to correct such error of the software program in question.

Safety Cautions



WARNINGS

- **Be sure to check that the PS-A unit's power is disconnected before installing the unit, in order to prevent an electrical shock.**
- **Do not attempt to modify or open the HDD unit, since it can cause a shock or fire.**
- **When installing the HDD unit, be sure to read the following "2. Installation" section's information completely to insure that the unit is correctly installed.**

To Prevent Accidents

- Since the HDD unit is a precision instrument, be sure it is neither hit by nor pressed strongly against another object. After unpacking, be sure the unit is not dropped or jolted during installation. Also, a PS-A unit built in to a larger unit (i.e. operation panel) should be removed and packed separately prior to shipping.
- Be sure water, liquids or metal particles are not allowed to enter the HDD unit. Any of these may cause either a breakdown or an electrical shock.
- Do not place or store this unit in a location where there is direct sunlight, excessive heat, dust or vibration.
- Do not store or operate this unit near chemicals, or where there are chemical fumes.
- Do not allow anyone other than Pro-face's own service staff to perform maintenance or adjustments to this unit.
- Do not move or shift the PS-A unit while the HDD unit is installed and the PS-A unit's power is ON.
- Do not use the HDD unit in locations where corrosive gasses are present, since they can lead to a hard disk breakdown.
- To prevent damage to file data, be sure to shut down the PS-A unit's OS before turning OFF the main power.
- To prevent HDD memory leaks, restart the OS periodically.
- In order to extend the lifetime of the hard disk, Pro-face recommends you set the Windows [Control panel]-[Power Management option]-[Turn off hard disks] selection to turn the hard disk off when the unit is not being operated. A setting of 5 minutes is recommended.

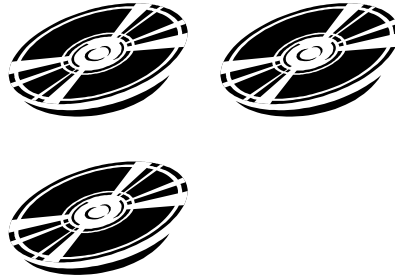
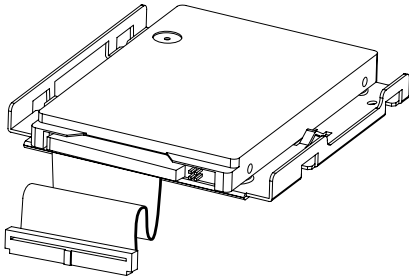
Unit Disposal

- When this HDD unit is disposed of, it should be done so according to your country's regulations for similar types of industrial wastes.

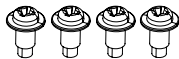
Package Contents

Please check that the following items are all included in your package.

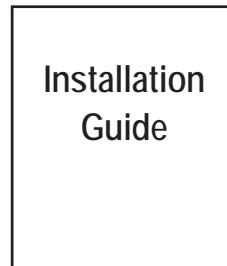
- Windows® 2000 Multi-Language Preinstalled HDD unit (1)
- Recovery CD (3)



- Attachment Screws (4)



- Installation Guide (1) (This Guide)



- Symantec Ghost™ EULA(1)

Pro-face has taken the utmost care to ensure the quality of this product when it was shipped, however, should, for any reason, problems or damage have occurred during shipping, please contact your Pro-face representative immediately for service.

1 Hardware Specifications

■ Features

Capacity	20GB*1
Average Seek Time	12msec(TYP)
Power Consumption	At Startup : 4.7W (TYP)
	Read/Write : 2.0/2.1W (TYP)
	During Wait : 0.25W(TYP)
Interface	ATA
Operation Lifetime	5 years, or 20,000 operating hours, whichever comes first
Weight	Approx. 200g



- ***This HDD unit has a finite usage lifetime. Therefore, be sure to back up all HDD data periodically and/or prepare a backup HDD unit.***
- ***The HDD unit's lifetime will vary, depending on the usage conditions and environment. The above value is calculated assuming an ambient temperature of 20°C and 333 hours of operation per month. (HDD access frequency of 20% or less)***

■ Environment

Operating Temperature	PS-3700A	+5°C to +50°C
	PS-3701A	+5°C to +45°C
Storage Temperature	-10°C to +60°C	
Ambient Humidity	10%RH to 85%RH (no condensation) (Wet bulb temperature: 29°C or less)	
Noise Resistance (via Noise Simulator)	Noise Voltage: 1500Vp-p Pulse Width: 50ns, 500ns, 1μs	
Electrostatic Discharge Immunity	4kV	
Vibration Resistance	4.9m/s ² (10Hz to 25Hz) (When Operating)	
Shock Resistance	3920m/s ² (1ms, Half-sine shock pulse)(When Transporting)	



- ***The environment specifications given here are for an HDD unit installed in a PS-A.***



- ***Pro-face does not guarantee the preservation of any data stored on the HDD unit if the HDD unit has an accident, malfunctions or is damaged in any way. Therefore, the regular backing up of important HDD unit data to either a floppy disk, or other type of suitable magnetic media is strongly recommended.***
- ***This HDD unit has a finite usage lifetime. The lifetime figure given in this document is for reference, and the periodic replacement of the current HDD unit with a new HDD unit is strongly advised.***
- ***Using the HDD unit in an environment that is excessively hot and/or humid will shorten the disk's usage lifetime. A wet bulb temperature of 29°C or less is recommended. This is equivalent to the following data.***

Temperature	Humidity
at 35°C	no higher than 64%RH
at 40°C	no higher than 44%RH

- ***In order to extend the lifetime of the hard disk, Pro-face recommends you set the Windows [Control panel]-[Power Management option]-[Turn off hard disks] selection to turn the hard disk off when the unit is not being operated. A setting of 5 minutes is recommended.***

2 Installation

Be sure to use the following installation procedures to insure that the HDD unit is correctly installed. The Installation location will differ, depending on the type of PS-A unit you are using.



WARNING

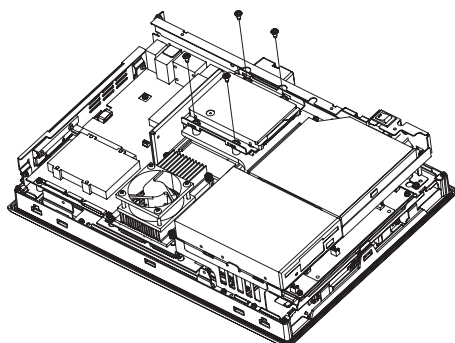
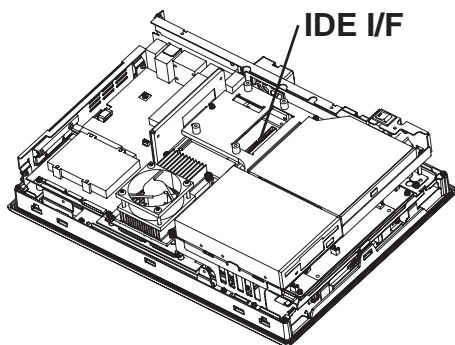
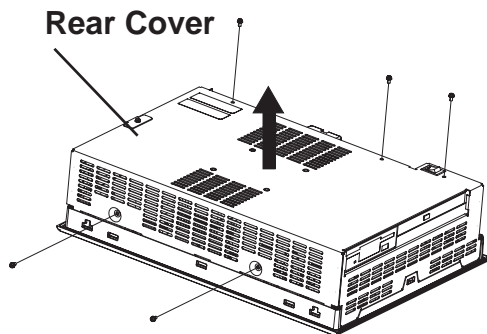
Shock Danger! Be sure to disconnect the PS-A unit from its power supply prior to installing the HDD unit.



- *Since the HDD unit is a precision instrument that has a low resistance to shocks, be sure it is neither hit by nor pressed strongly against another object when installing it.*

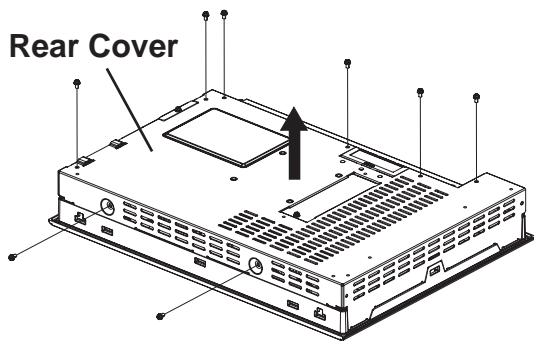
■ When using PS-3700A (Pentium® 4 - 1.7GHz Model)/PS-3700A (Eden™ 6000 - 667MHz Model) unit

The following procedure uses a PS-3700A(Pentium® 4 - 1.7GHz Model) unit as an example.



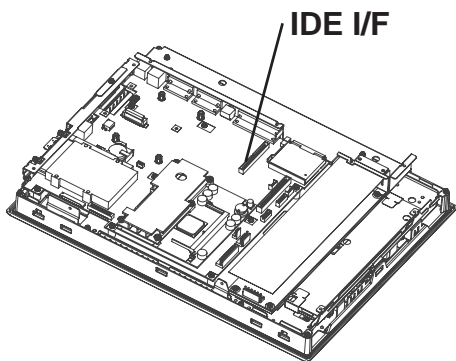
- 1) Place the PS-A unit face down and unscrew five (5) cover attachment screws. (See diagram)
- 2) lift the Rear Cover off of the PS-A unit.
- 3) Insert the HDD unit's cable connector completely into the IDE I/F.
- 4) Attach the HDD unit using the four (4) attachment screws. (See diagram) The torque should be 0.5 to 0.6 N•m.
- 5) Replace the PS-A unit's cover and reattach five (5) attachment screws. The torque should be 0.5 to 0.6 N•m.

■ When using PS-3701A(Eden™ 6000 - 667MHz Model) unit

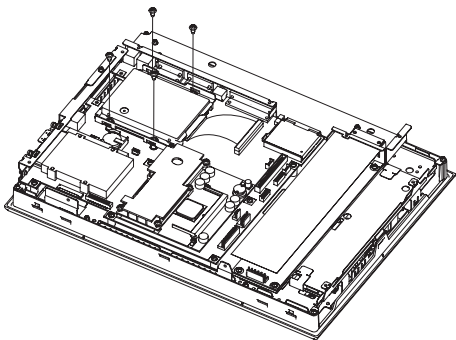


1) Place the PS-A unit face down and unscrew eight (8) cover attachment screws.

2) Lift the Rear Cover off of the PS-A unit.



3) Insert the HDD unit's cable connector completely into the IDE I/F.



4) Attach the HDD unit using the four (4) attachment screws. (See diagram) The torque should be 0.5 to 0.6 N•m.

5) Replace the PS-A unit's Rear Cover and reattach eight (8) attachment screws. The torque should be 0.5 to 0.6 N•m.

3 Hardware Setup



- **Normally, the factory default settings should be used.**
- **Certain BIOS screen items may differ from those shown here due to new versions or the PS-A unit you are using.**



- **The following explanation uses the PS-A unit's factory settings.**

The HDD unit's installation and system data settings are as follows.

- 1) Install the HDD unit in the PS-A. Refer to **2 Installation** for details. If the HDD unit is already installed, this step is not necessary.
- 2) Connect a keyboard to the PS-A.
- 3) Turn on the PS-A unit's power supply and use the following steps to set up the system data and recognize the HDD unit.
- 4) When the start-up screen appears, press your Keyboard's [DEL] key.

The Setup utility will start. Select [Standard CMOS Features], then select [IDE Primary Master]. The following screen will appear.

Phoenix - AwardBIOS CMOS Setup Utility		Item Help
IDE Primary Master		
IDE HDD Auto-Detection	[Press Enter]	
IDE Primary Master	[Auto]	Menu Level ▶▶
Access Mode	[Auto]	
Capacity	0 MB	To auto-detect the HDD's size, head... on this channel
Cylinder	0	
Head	0	
Precomp	0	
Landing Zone	0	
Sector	0	

↑↓←→:Move Enter:Select +/-/PU/PD:Value F10:Save ESC:Exit F1:General Help
F5: Previous Values F6: Fail-Safe Defaults F7: Optimized Defaults

- 5) Confirm whether "AUTO" is selected for IDE Primary Master. Also, confirm whether "AUTO" is selected for the [Access Mode]. If AUTO is not selected, change these settings to AUTO. If AUTO is selected in both, disk parameters will be automatically read when the PS-A is turned ON. The factory setting is AUTO and recommended for most users.
- 6) After all changes are made, press the ESC key and select [Save & EXIT Setup] to save the settings. The OS will then start.

OS Setup

■ Software Included

Your Windows® 2000 Multi-Language preinstalled hard disk unit contains the following software.

- Microsoft corporation's Windows® 2000 Professional OS
- Windows® 2000 Service Pack 4
- DMC Corporation's Mouse Emulation Software (TSC-1310D/DD)
- IN-FINITY soft's Keyboard Emulation Software KeyClick32
- Pro-face's PS-A utility software and drivers

■ Windows® 2000 Setup Procedure



A detailed explanation of the software included, as well as a list of the revisions made after the printing of this document can be found in the HDD unit's README.txt file.

- 1) Once the PS-A unit's power is turned ON, this HDD unit's [Windows 2000 Professional Setup] screen, and then the [Welcome to the Windows 2000 Setup Wizard] will appear. Click the [Next] button.
- 2) The [License Agreement] screen will appear.
After reading the contracts, press [I accept this agreement] if you agree, and click the [Next] button.
- 3) The [Regional Settings] screen will appear.
After entering the data for your area, click the [Next] button.
- 4) The [Personalize Your Software] screen will appear.
After entering your name [Name] and [Organization], click the [Next] button.
- 5) The [Your Product Key] screen will appear.
After entering the product key data, click the [Next] button.
- 6) The [Computer Name and Administrator Password] screen will appear.
Enter the [Computer Name and Administrator Password], and [Confirm Password], then click the [Next] button.
When entering the [Computer Name], if the name shown on the display is not correct, you can enter another name. When the computer is connected to a network, be sure to ask your network manager what is the correct name for this field.
- 7) The [Date and Time Settings] screen will appear.
After entering these settings, click the [Next] button.
- 8) The [Network Settings] screen will appear.
Choose whether to use typical or custom settings depending on your PC circumstance.

- 9) The [Workgroup or Computer Domain] screen will appear.
Choose whether to make your PC on a network or not depending on your PC circumstance.
- 10) [Performing Final Tasks] is automatically done by the PS-A.
The [Completing the Windows 2000 Setup Wizard] will appear. Press the [Finish] button and the system will automatically restart.
- 11) When the [Network Identification Wizard] and the [Welcom to the Network Identification Wizard] is started, please press the [Next] button. The [Users of This Computer] screen will appear. After entering the desired settings, press the [Next] button and then press the [Finish] button.

5 The Languages

The Windows® 2000 Multi-Language Preinstalled Hard Disk Unit contains the following languages;

Chinese (Simplified)	English	Hungarian	Russian
Chinese (Traditional)	Finnish	Italian	Spanish
Czech	French	Polish	Swedish
Danish	German	Portuguese (Brazil)	Turkish
Dutch	Greek	Portuguese (Portugal)	

■ Designating the Language

- 1) Select the Windows® 2000 [Start] menu's [Settings], then [Control Panel] command.
- 2) Select the [Regional Options] command.
- 3) Select the appropriate language from "Menu and dialogs:" in the "General" tab.

6 HDD Recovery Procedure



- **After performing hard disk recovery, the PS-A unit's hard disk is returned to its factory shipped condition.**
- **For recovery, the following things are required;
The PS-A unit, HDD to be recovered, a CD-ROM drive (Build in CD-ROM, PSS-CD01 or a commercial USB-type CD-ROM drive), and a PS/2 keyboard.**

Use the following steps used to recover the Windows® 2000 Multi-Language Preinstalled Hard Disk.

1. Insert the Recovery CD's Disk 1 into the CD-ROM drive and turn the PS-A unit's power ON. Immediately after the power turns ON, keep pressing the [Del] key. The unit's BIOS setup screen will appear.
2. Select [CDROM] for [First Boot Device] of [Advanced BIOS Features].
(When using a commercial USB-type CD-ROM drive, select [USB-CDROM] for [First Boot Device].)
3. Press the [F10] key to save the setting and restart the PS-A unit.
4. After the PS-A unit restarts, the Symantec Ghost™ will automatically start.
5. After the Symantec Ghost™ starts, the [Question] dialog box will appear.
"Partition sizes correct?"
6. The volume displayed in New Size will be recovered. After confirming it, press the [Yes] button. To change it, press the [No] button and go to the [Destination Drive Details] dialog box. In the [Destination Drive Details] dialog box, change the size of the New Size and press the [OK] button.
7. The [Question] dialog box will appear. Press the [Yes] button. It will be reconfirmed that the data of the hard disk is all reset to the original values at the time of delivery.
"Proceed with disk restore?
Destination drive will be permanently overwritten."
8. The Recovery CD's Disk 1's hard disk recovery program will start. After a while, the [Span Volume [*] Done] dialog box will appear. Replace the Recovery CD's Disk 1 in the CD-ROM drive with the Recovery CD Disk 2 and press the [OK] button.
Follow the same step for the Recovery CD Disk 3 and press the [OK] button.

9. After the recovery operation finishes, Symantec Ghost™ finishes and the following message will appear.
After the message appears, turn off the power supply of the unit.
"Please turn off the computer."
10. After turning on the power supply once again, push the [DEL] key to go to the BIOS Setup Screen.
11. In the Setup screen, set Load Optimized Defaults to reset all BIOS settings to their original values at the time of delivery. Press the [F10] key to save the settings and restart the unit.
12. After the unit restarts, set up your OS.

Reference 4 OS Setup



- ***If the hard disk unit breaks down due to a hardware problem, (Ex. if BIOS cannot find the hard disk, if the hard disk's lifetime expires, or it breaks down), Symantec Ghost™ cannot recover the hard disk. Pro-face recommends that in this case you contact your local PS-A distributor for instructions about hard disk recovery or replacement.***
- ***Pro-face does not guarantee the preservation of any data stored on the HDD unit if the HDD unit has an accident, malfunctions or is damaged in any way. Therefore, the regular backing up of important HDD unit data to either floppy disks, or other type of suitable magnetic media is strongly recommended.***



Note: For softwares, please refer to Pro-face Home Page.
URL: <http://www.pro-face.com/otasuke/>




SCIGATE AUTOMATION (S) PTE LTD
 No.1 Bukit Batok Street 22 #01-01 Singapore 659592
 Tel: (65) 6561 0488 Fax: (65) 6562 0588
 Email: sales@scigate.com.sg Web: www.scigate.com.sg
 Business Hours: Monday - Friday 8.30am - 6.15pm

Note

Please be aware that Digital Electronics Corporation shall not be held liable by the user for any damages, losses, or third party claims arising from the uses of this product.

Digital Electronics Corporation

8-2-52 Nanko Higashi, Suminoe-ku, Osaka 559-0031, Japan

URL: <http://www.pro-face.com/>

© 2007 Digital Electronics Corp. All rights reserved.